

Table of Contents

Please read the entire section before attempting set-up.

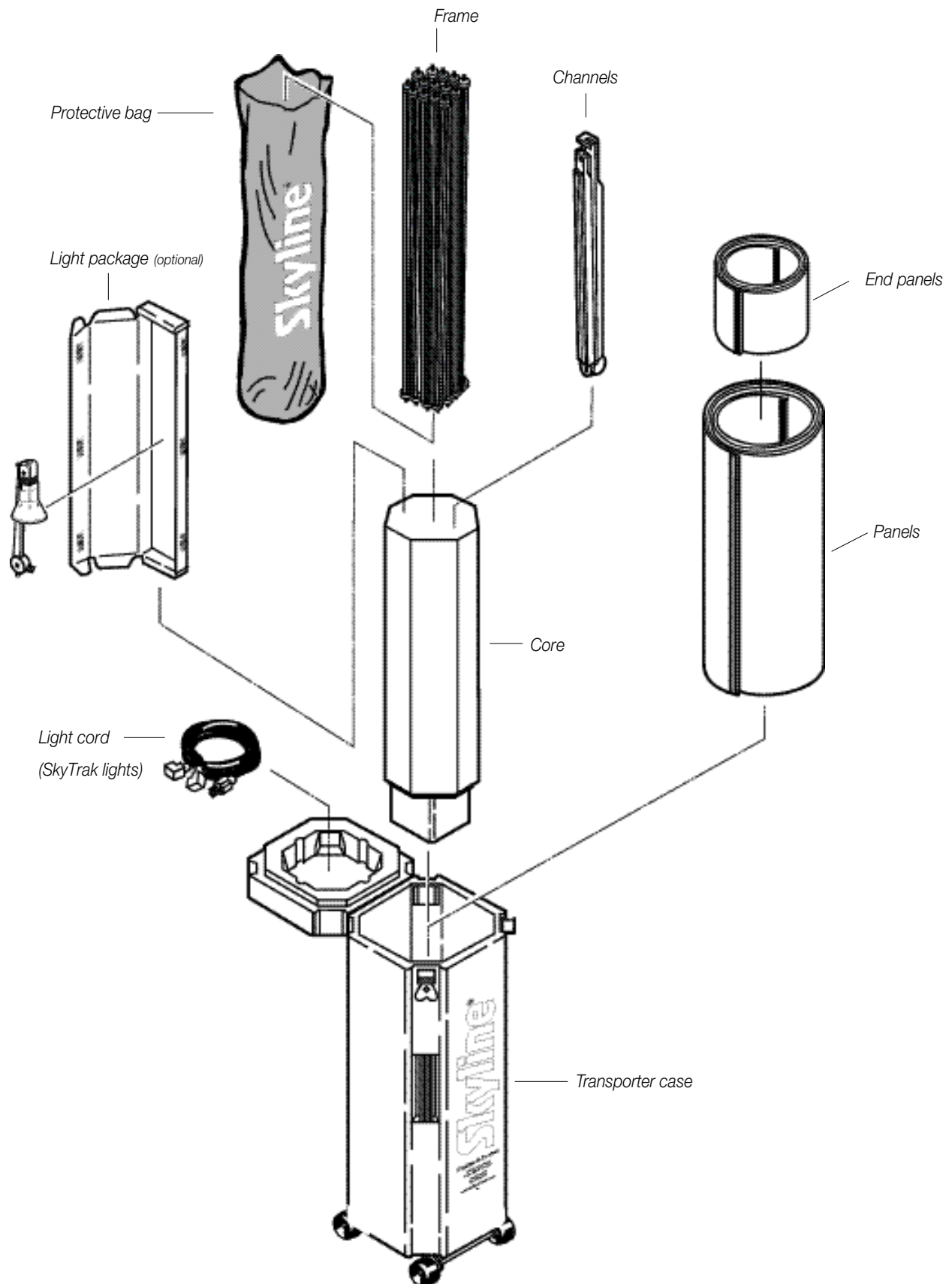
Although Skyline products are designed to withstand the rigors of a heavy trade show schedule, with many set-ups and take-downs, care should be taken when handling your display. Valuable graphic panels can be damaged if not properly handled. Place graphic panels in protective plastic bags provided before repacking. Be careful not to drop panels into the case as this could damage their edges.

If you have any questions about setting up your display or have lost components, call your local Skyline distributor. For the number of your distributor, or the distributor in a city in which you are exhibiting, call Skyline at **1-800-328-2725**.

Thank you for choosing Skyline – have a great show!

Set-Up	Component Identification	2
	Frame	3
	Channels	4
	Halogen Lights	6
	SkyTrak™ Lights	8
	Panels	10
	End Panels	11
	Detachable Graphics	12
Accessories	Shelving	13
	Marquee Header	14
	Bubble Panel	16
Repacking	Packing Overview	19
	Disassembly	20
	Warranty	23

Mirage Components

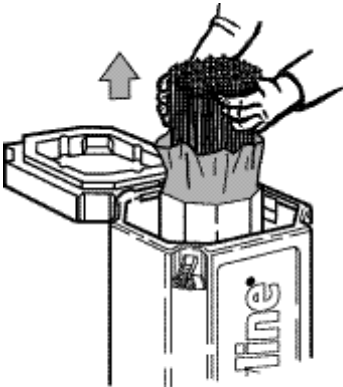


Frame

1

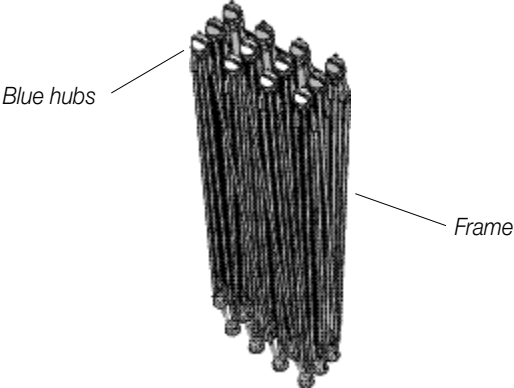
Remove frame from protective bag in center core of case.

(Keep protective bag for repacking your frame.)



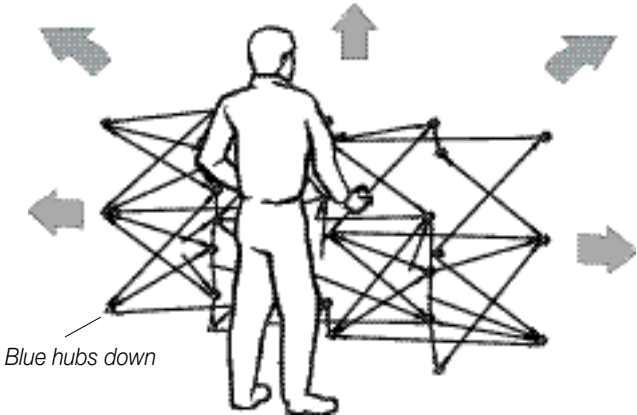
2

Place frame in standing position with blue hubs up and facing you. Spread frame apart enough to grasp the rods in the center of the frame.

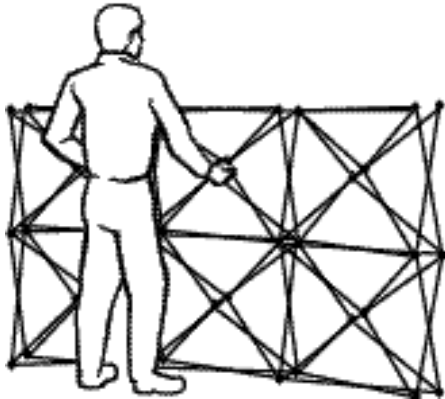


3

Grasp frame rods near the yellow hubs in the center of the frame and lift to expand frame.



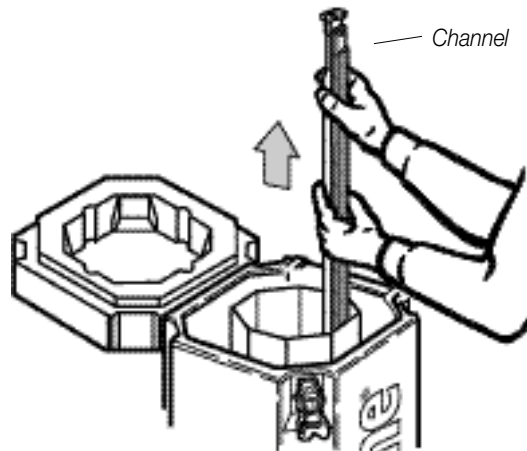
Frame will lock into place when it is fully expanded.



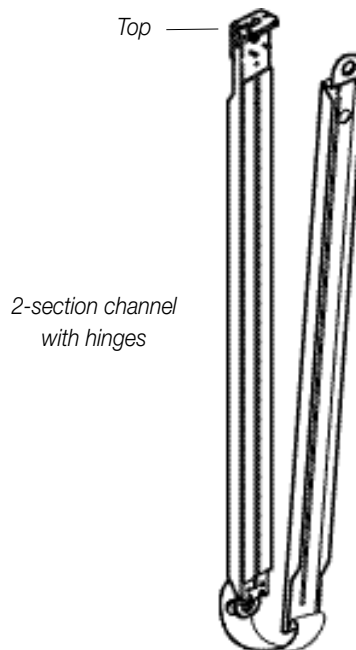
Channels

4

Remove channels from case core. Identify what lights you have, if any, before you install the channels (see below).



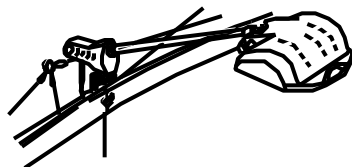
Your channels are hinged for easy set up. The light clip is on the top channel.



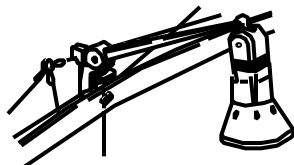
!

If you have **no lights** or a backlit Marquee header proceed to **Step 5**.

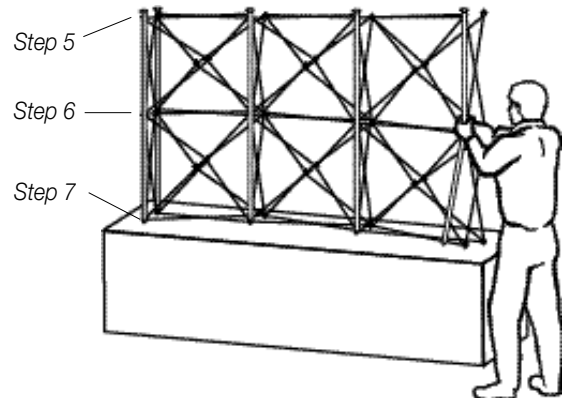
If you have **Halogen lights** go directly to **Step 8-H** on page 6.



If you have **SkyTrak lights** go directly to **Step 8-S** on page 8.



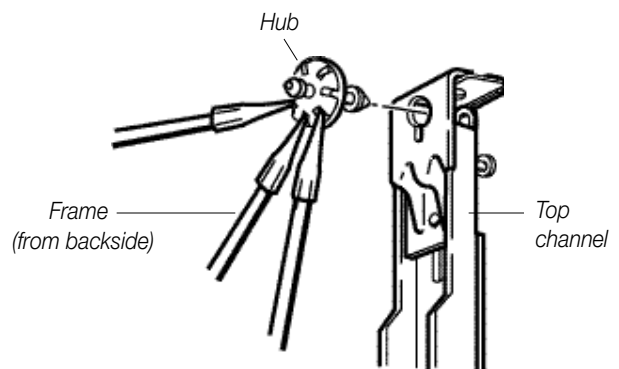
Channels are applied to all quadrants on front side of frame. Extra channels are applied to each end on back side of frame.



5

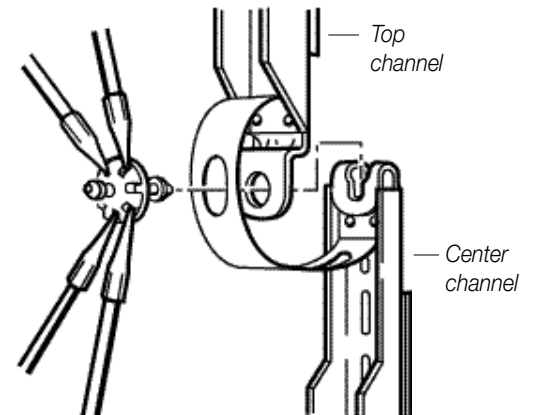
Top Connection

Connect top channel section to top hub of display frame.



6

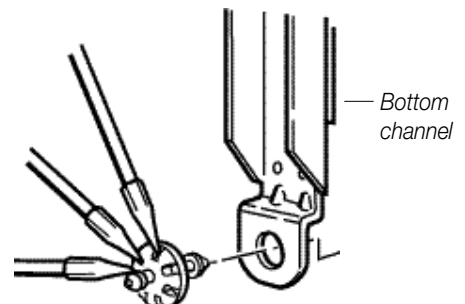
Center Connection Connect bottom of top channel to hub of display frame. Slide top of next channel up onto same hub.



7

Bottom Connection

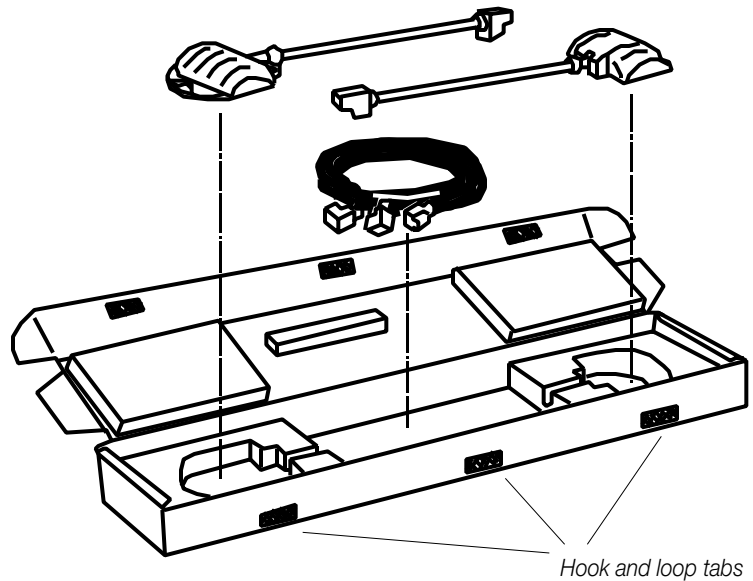
Connect bottom of channel to hub of display frame.



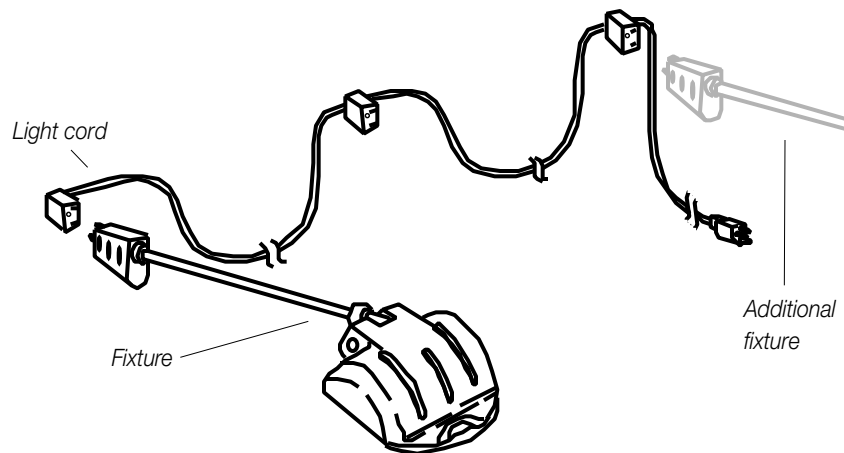
Halogen Lights

8-H

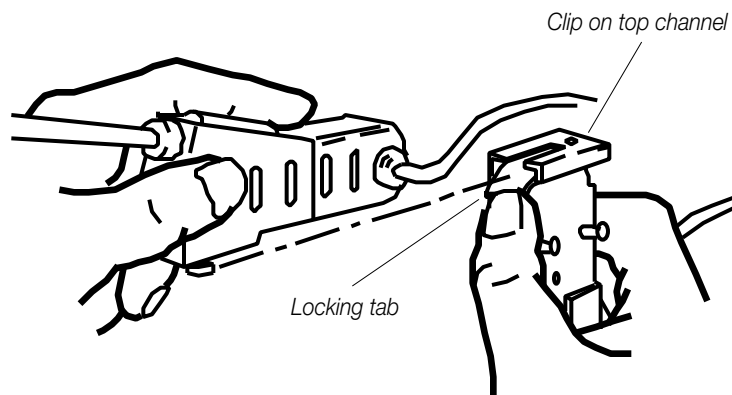
The fixture box opens on the side and is fastened with hook and loop tabs.



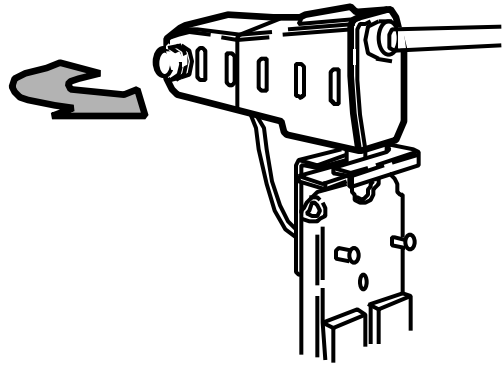
Attach light cord to fixture.



Attach fixture to clip on top section of channel. Hold down locking tab and back fixture into clip.

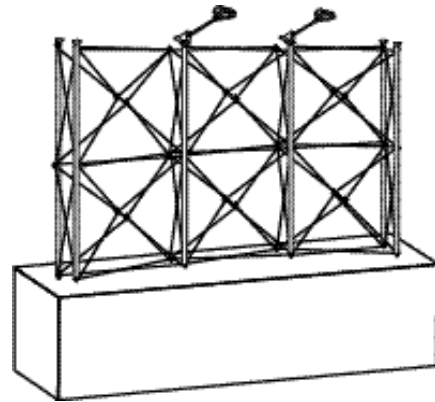


Rotate fixture 90° counter-clockwise.



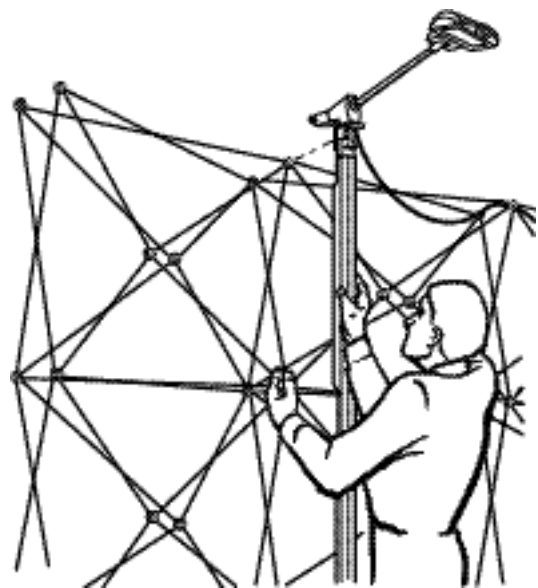
Repeat for remaining fixture(s).

Place channels with light fixtures in desired position on frame (see illustration at right for typical placement).



Remaining channels without lights are installed on open quadrants on front of frame and on end quadrants on back of frame.

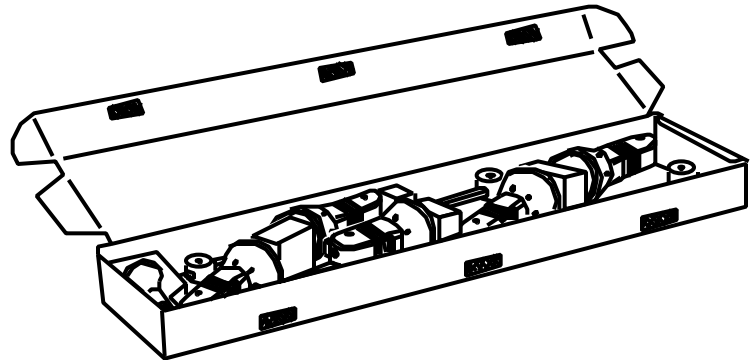
See Steps 5-7 for details on channel installation.



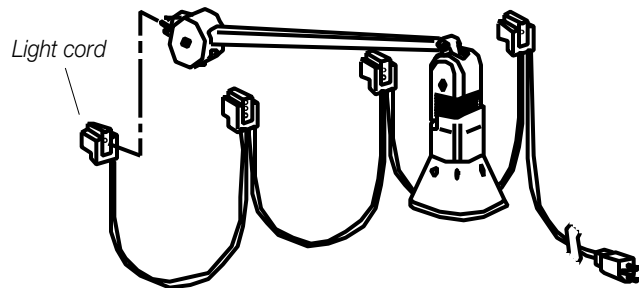
SkyTrak™ Lights

8-S

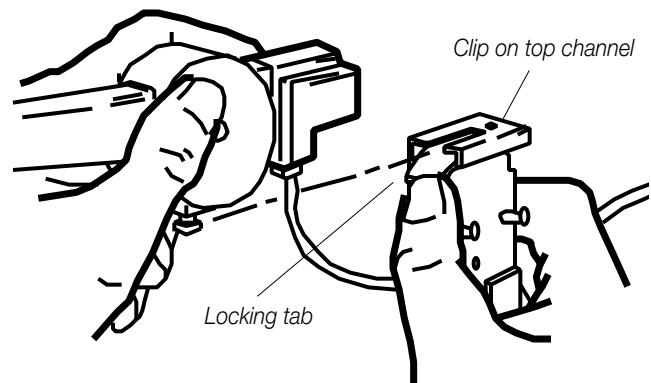
The fixture box opens on the side and is fastened with hook and loop tabs.



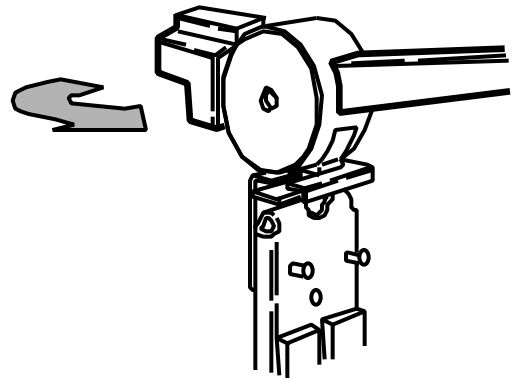
Attach SkyTrak fixtures to light cord (found in lid of Transporter case).



Attach assembled fixture to clip on top section of channel. Hold down locking tab and back fixture into clip.



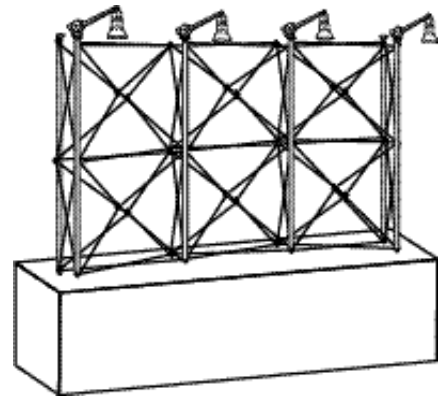
Rotate fixture 90° counter-clockwise.



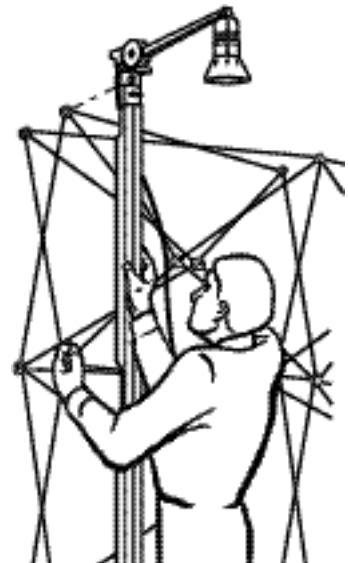
Repeat for remaining fixtures.

Place channels with light fixtures in desired position on frame (see right for typical placement).

Remaining channels are installed on remaining quadrants on front of frame (if any) and on end quadrants on back of frame.



See Steps 5-7 for details on channel installation.



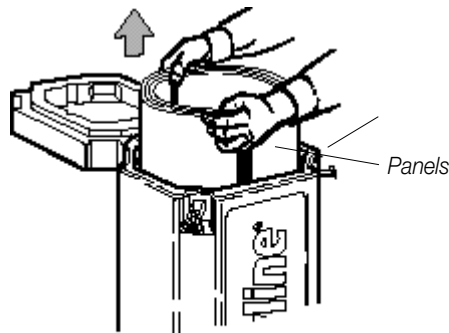
Panels

Note: Remove center core from Transporter case to access panels.

9

Carefully remove panels from case and unroll on flat, clean surface.

Hint: Roll panels slightly tighter to remove from case.

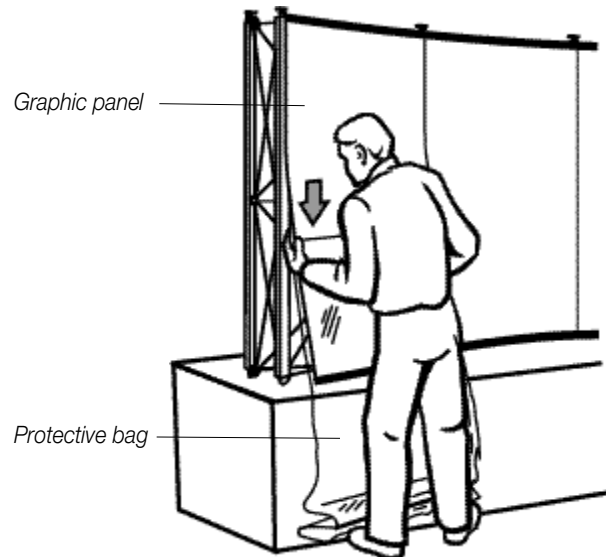


10

Graphic Panel: Pull just enough of the panel out of the bag to expose the panel notches. Attach as described below (11). Once panel is attached, slide bag off of panel.

Fabric Panels: Attach as described below (11).

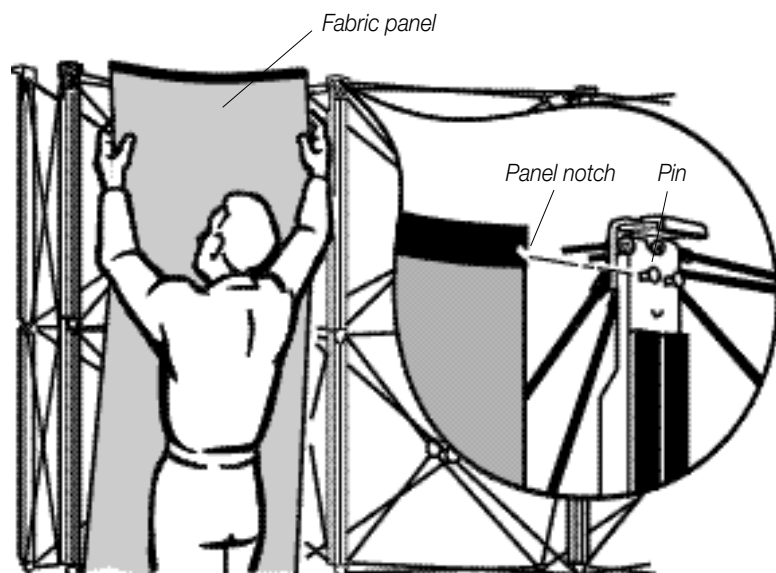
Save bags and protective sheets.



11

Grasp panels on their edges making sure panel notches are on top. Hold the panel slightly concave to give it the rigidity needed to reach the top of the channel.

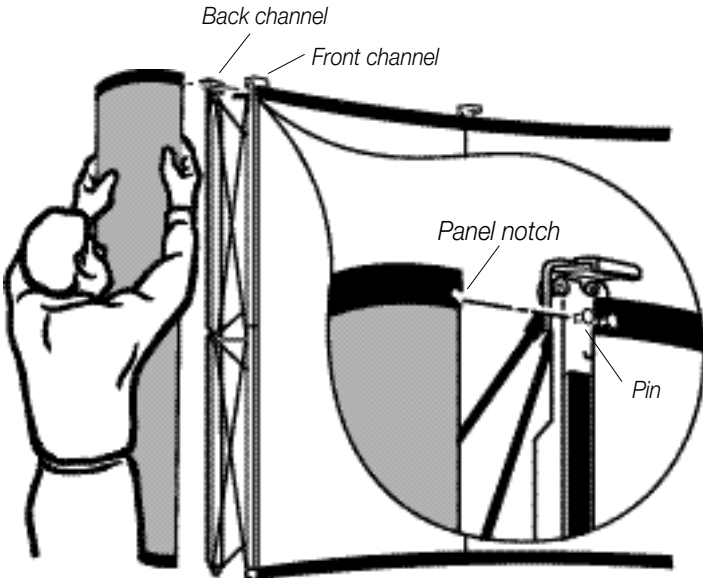
Hook the panel notch over the pin at the top of the channel. Repeat for other side of panel. Let panels attach to magnetic channels.



End Panels

12

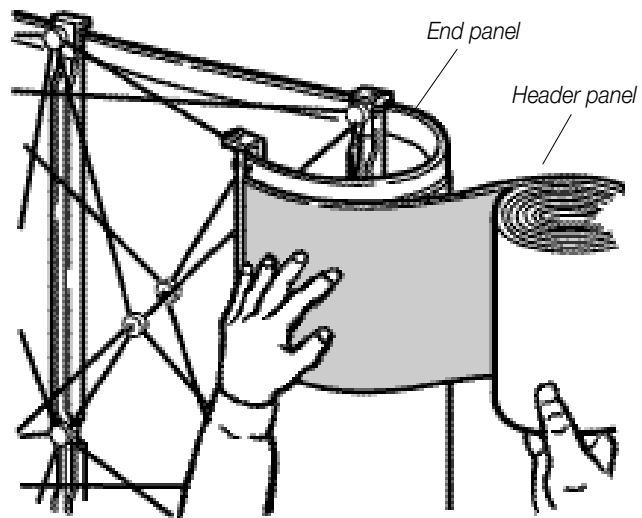
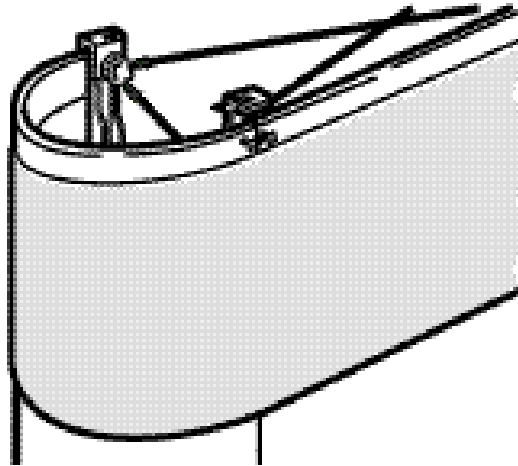
Hook the panel notch over the pin at the top of the front channel. Let panel attach to magnet on channel. Guide end panel around to back of frame and attach in the same manner.



Detachable Graphics

13 *Optional Graphics*

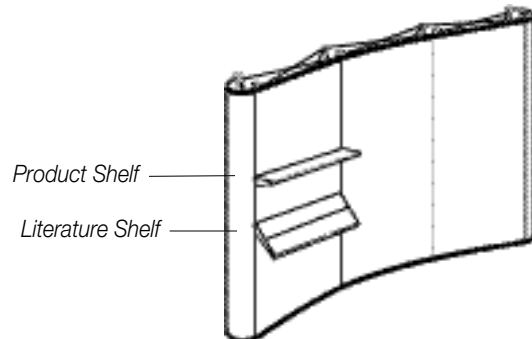
Header Panel Align header with top of fabric panel and unroll keeping header tight to panel.



Shelving

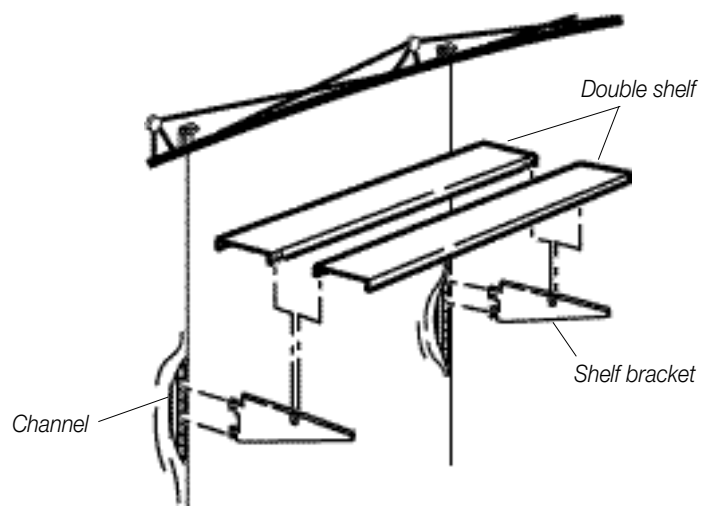
Product shelving is flat.
Available as single or double shelf.

Literature shelving is angled
and is available only as a double shelf.



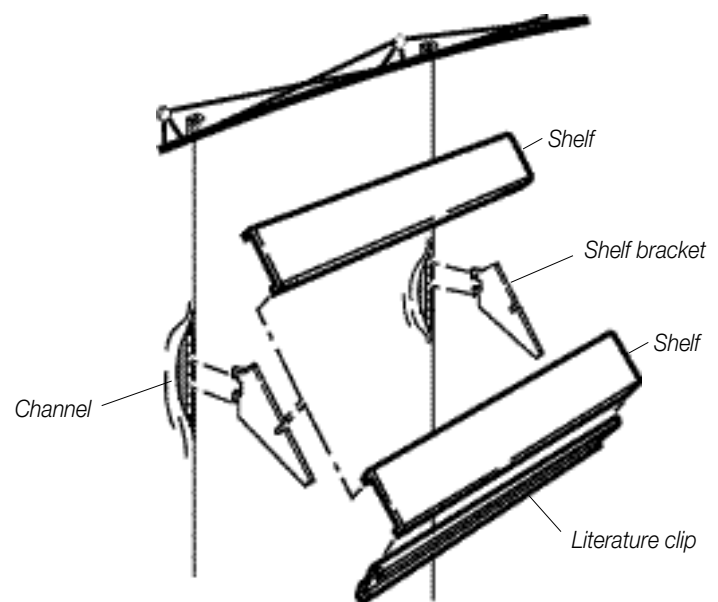
1

Product Shelf Pull panel away from frame to expose channel. Attach shelf bracket to channel and secure in place. Repeat for opposite bracket. Place shelf onto brackets making sure notches line up.



1

Literature Shelf Pull panel away from frame to expose channel. Attach shelf bracket to channel and secure in place. Repeat for opposite bracket.

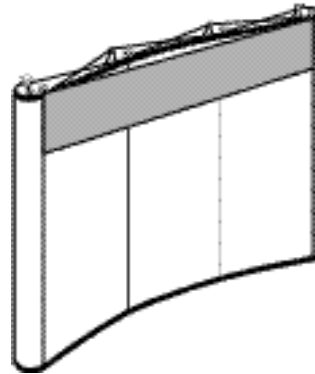


2

Attach literature clip to shelf lip. Place shelf onto brackets making sure notches line up.

Marquee Header

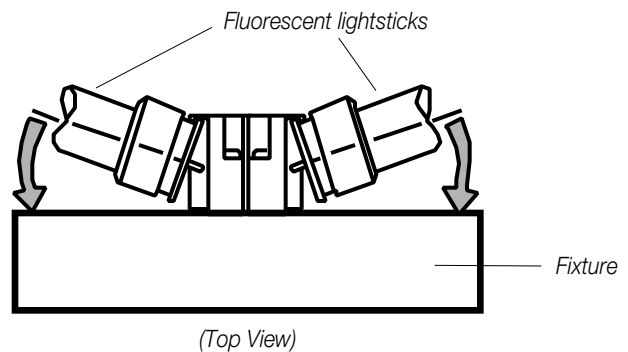
The Marquee Header is a graphic header designed to be backlit. It can be backlit with either incandescent Marquee Lights or Fluorescent Lightsticks.



1

Fluorescent Lightstick Insert lightstick into fixture at an angle and snap into place.

Repeat for remaining lightstick.

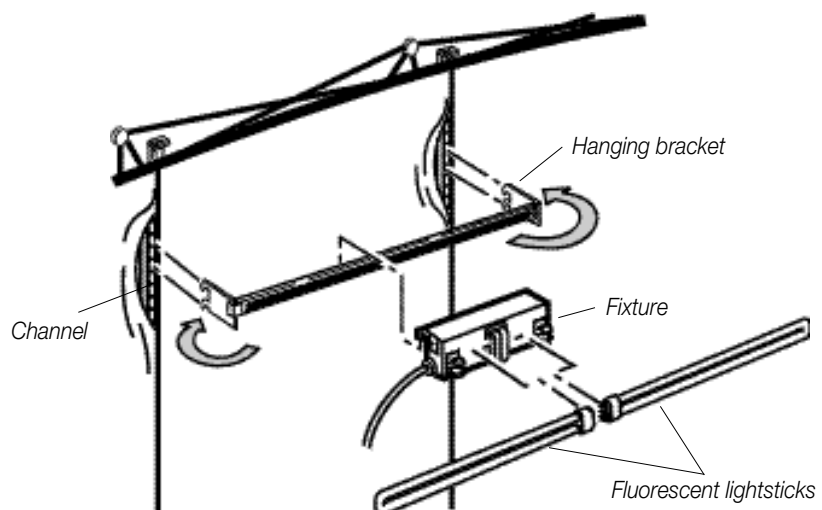


2

Unfold hanging bracket and insert into slots of channels in desired position.

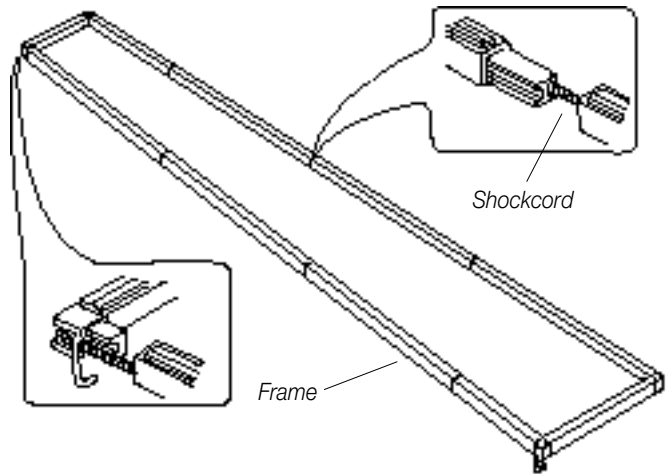
Connect fixture to hanging bracket.

Place cord over top of display and plug into power strip.



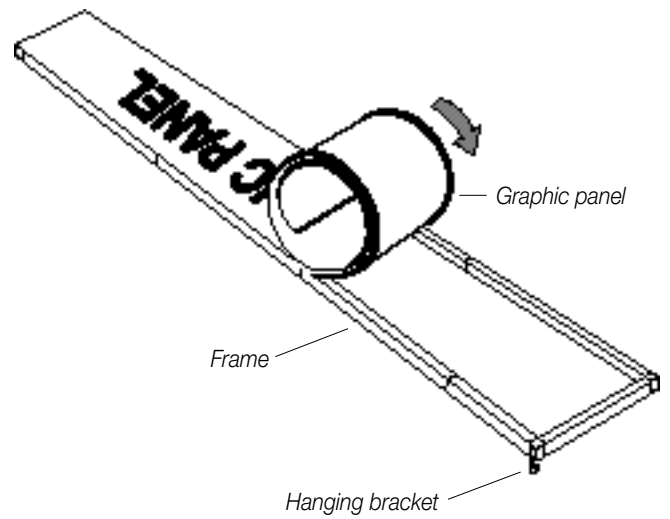
3

Assemble shock-corded header frame.



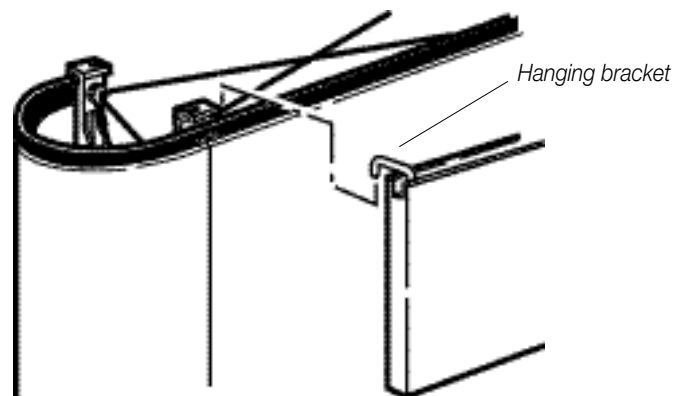
4

Unroll graphic panel onto header frame.



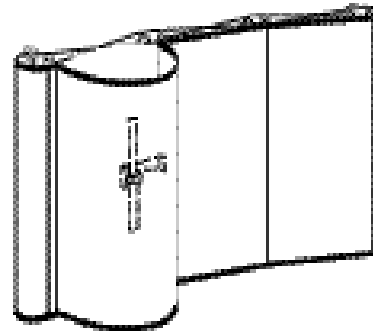
5

Hook header over frame at both ends of display.



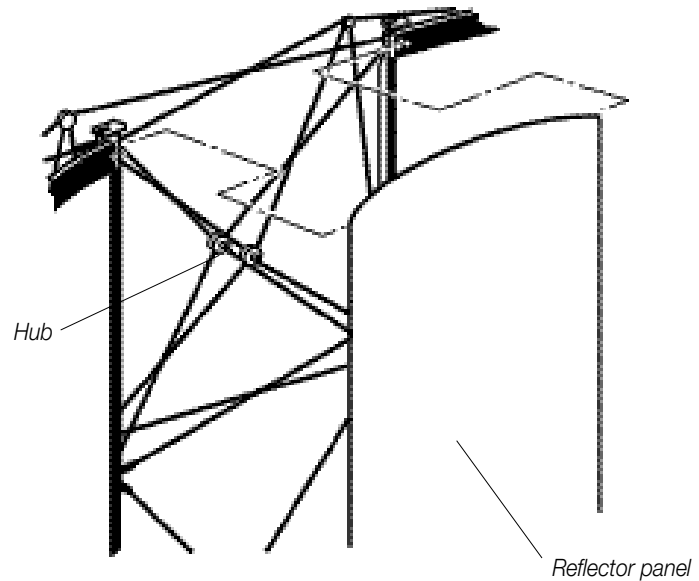
Bubble™ Panel

The Bubble Panel gives added dimension to your Mirage and allows for full-panel backlit graphics.



1

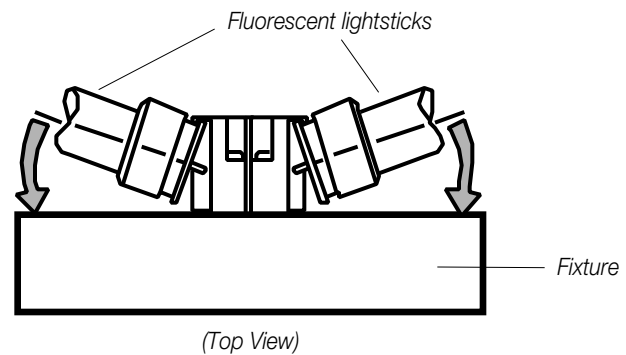
Connect reflector panel by hooking the panel notches over the pins at the top of the channels.



2

Insert lightstick into fixture at an angle and snap into place.

Repeat for remaining lightstick.

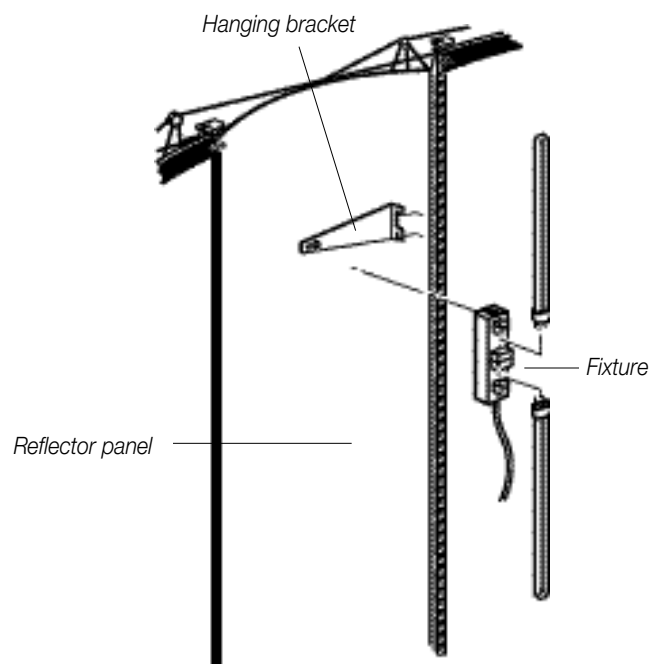


3

Insert hanging bracket into slots on back of channel at desired height.

Connect fixture to hanging bracket.

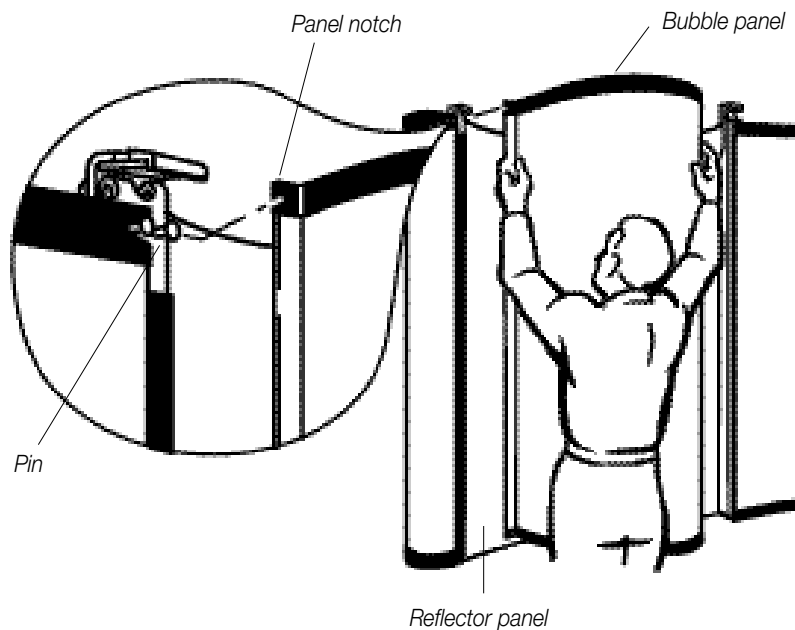
Place cord over top of display and plug into power strip.



4

Connect Bubble Panel by hooking the panel notches over the pins at the top of the channels.

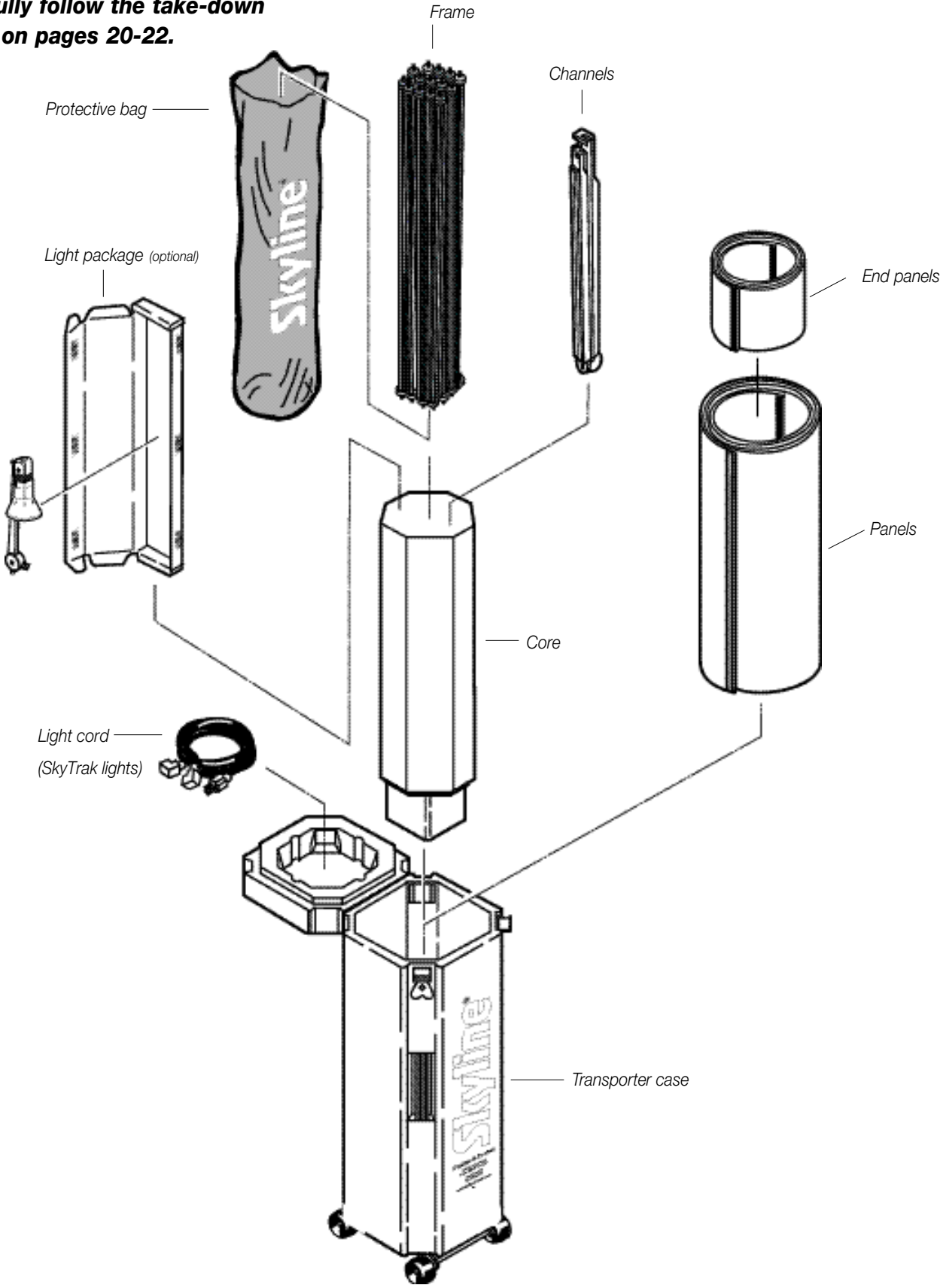
Align to magnets on channels.



Notes

Repacking – Transporter Case

Carefully follow the take-down steps on pages 20-22.



Repacking – Transporter Case

1

Remove any accessories or lighting and replace in original packing.

2 !

Graphic Panels To keep your panel from dirt and scratches, place protective plastic bag onto panel while it is on the frame. Begin at bottom of panel and move upwards. Remove panel when near the top.

Roll panel and place in case. Unroll panel until tight against wall of case.

Repeat with remaining front panels.

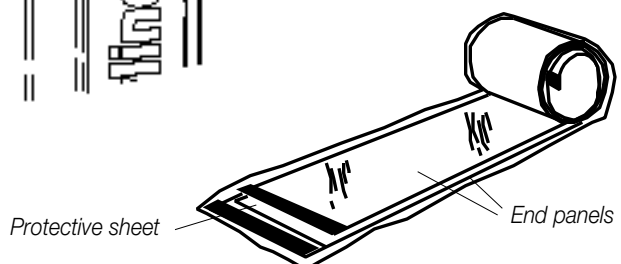
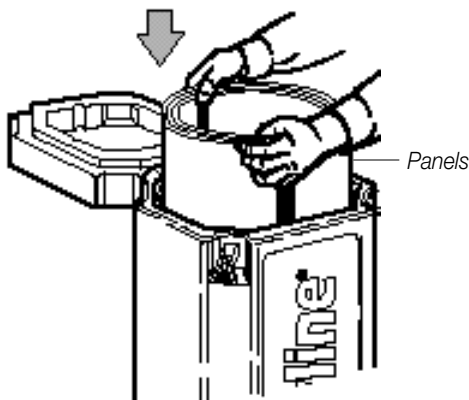
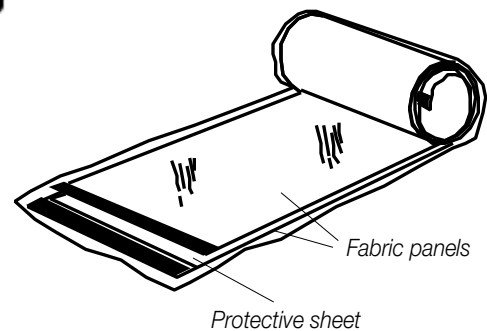
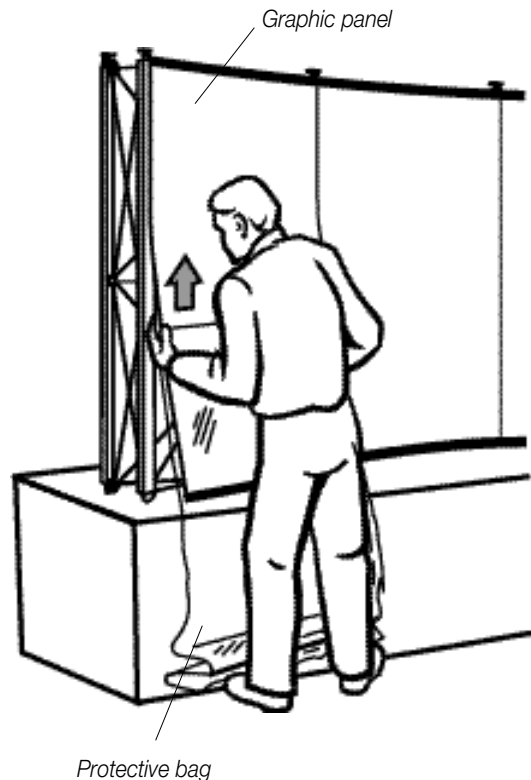
Fabric Panels Remove 2 front panels and lay face-to-face with protective sheet between.

Roll panels and place in case. Unroll panels until tight against wall of case.

Repeat with remaining front panel.

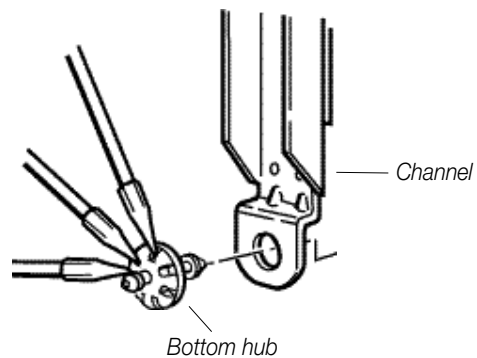
3

Repeat with end panels.

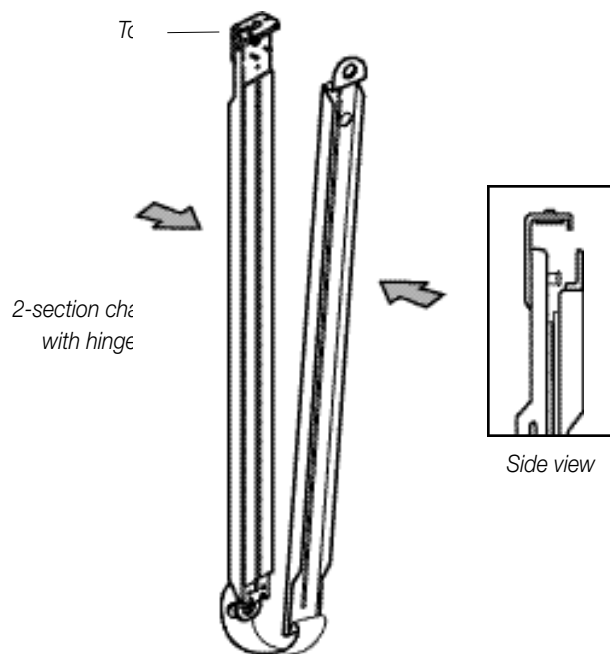


4

Remove channels by starting at bottom hub and working up.

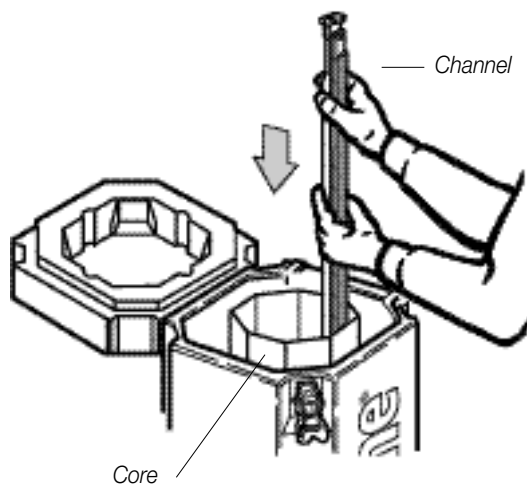


Fold channels and nest sections together as shown.



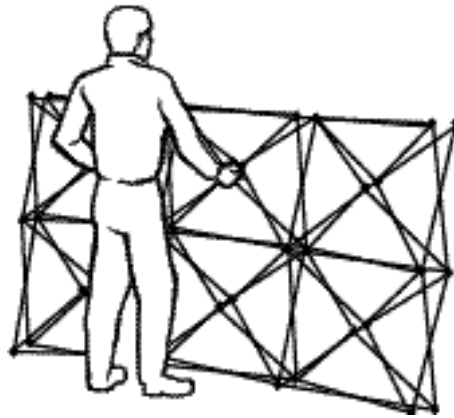
Place core into Transporter case.

Put channels in protective bag and place into core.

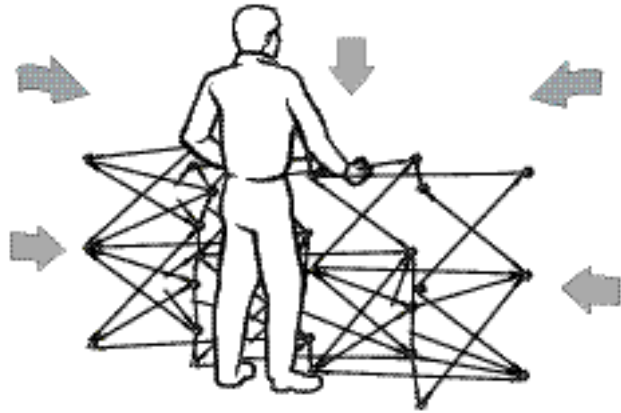


5

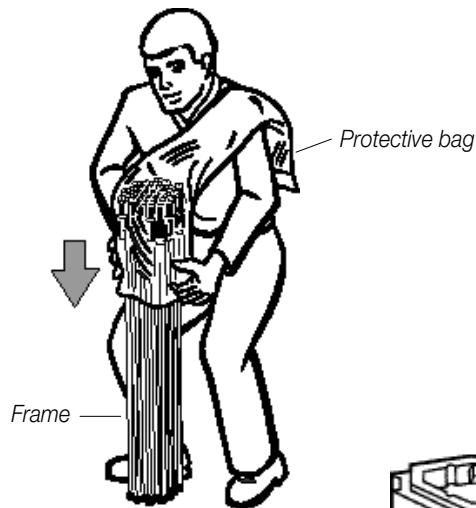
To collapse frame, tip the frame back slightly (to reduce floor friction). Pull a yellow hub while pushing against its opposite hub to unlock frame.



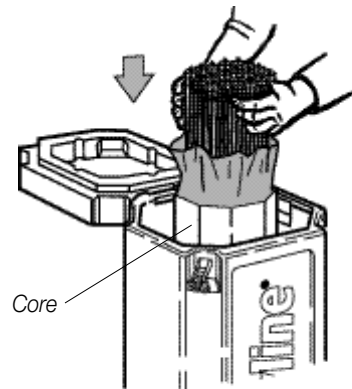
Support frame and slowly allow frame to collapse.



Place frame in protective bag.



Place frame into case core.



Skyline Displays, Inc.
3355 Discovery Road, Eagan, Minnesota 55121 U.S.A.

SKYLINE DISPLAYS, INC., a Minnesota corporation (SKYLINE), hereby warrants to the original buyer, as set forth below its MIRAGE® PLUS portable display, in three parts: frame and channels (Frame and Channels), hardware (Hardware) and panels (Panels). Frame and Channels represent the collapsible frame and metal channels including attached magnets. Hardware represents the shelves, brackets, case and light fixtures (not bulbs). Panels represent the flexible surface area covering the Frame and Channels. This Limited Warranty set forth below does not apply to any photomural panels or graphic materials supplied by SKYLINE.

MIRAGE PLUS HARDWARE WARRANTY

SKYLINE warrants the MIRAGE PLUS Frame and Channels substantially for LIFETIME, the MIRAGE PLUS Hardware for a period of one (1) year from the date of purchase, and the MIRAGE PLUS Panels for a period of ninety (90) days from the date of shipment, will be free from defects in material or workmanship. Defects will be determined solely by SKYLINE and not by any representative, distributor, or dealer of or for SKYLINE. Upon determination of defect, the sole obligation of SKYLINE will be to repair or replace defective part. Replacement of a defective part shall be made by the issuance of a credit to the Buyer which may be used by the Buyer to purchase a replacement part.

The conditions of the Limited Warranty (1) the MIRAGE PLUS Frame and Channels, Hardware or Panels shall have been subject to only normal use and service and shall not have been misused, neglected, altered or otherwise damaged and (2) there shall be no evidence or tampering or deliberate destruction.

No representative, distributor, or dealer of or for SKYLINE is authorized to assume for SKYLINE any other obligations or liabilities in connection with the MIRAGE PLUS Frame and Channels, Hardware or Panels, or alter the terms of this Limited Warranty in any way. This Limited Warranty is limited to the express provisions contained herein and does not extend to the liability for labor cost incurred in replacing defective parts.

Authorization to return any alleged defective part must be obtained from SKYLINE before the alleged defective part is returned. All shipping and transportation charges must be prepaid by the buyer. SKYLINE will not accept charges for parts purchased unless the conditions of the Limited Warranty have been satisfied.

THIS WARRANTY IS IN LIEU OF ALL OTHER WARRANTIES, EXPRESS OR IMPLIED, AND THE WARRANTIES OF MERCHANTABILITY AND FITNESS FOR A PARTICULAR PURPOSE ARE HEREBY DISCLAIMED. Some states do not allow limitations on how long an implied warranty lasts, so the above limitations may not apply to you. SKYLINE DISPLAYS, INC. SHALL NOT BE LIABLE FOR DAMAGES, INCLUDING SPECIAL, INCIDENTAL, OR CONSEQUENTIAL DAMAGES ARISING OUT OF OR IN CONNECTION WITH THE PERFORMANCE OF THIS MIRAGE PRODUCT OR ITS USE BY THE BUYER.