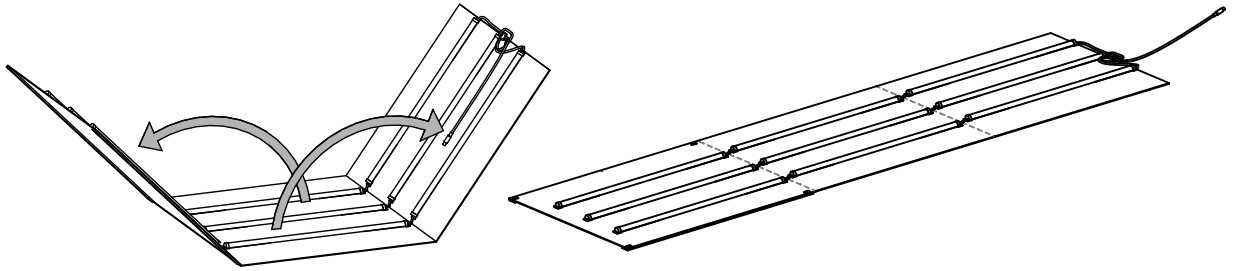
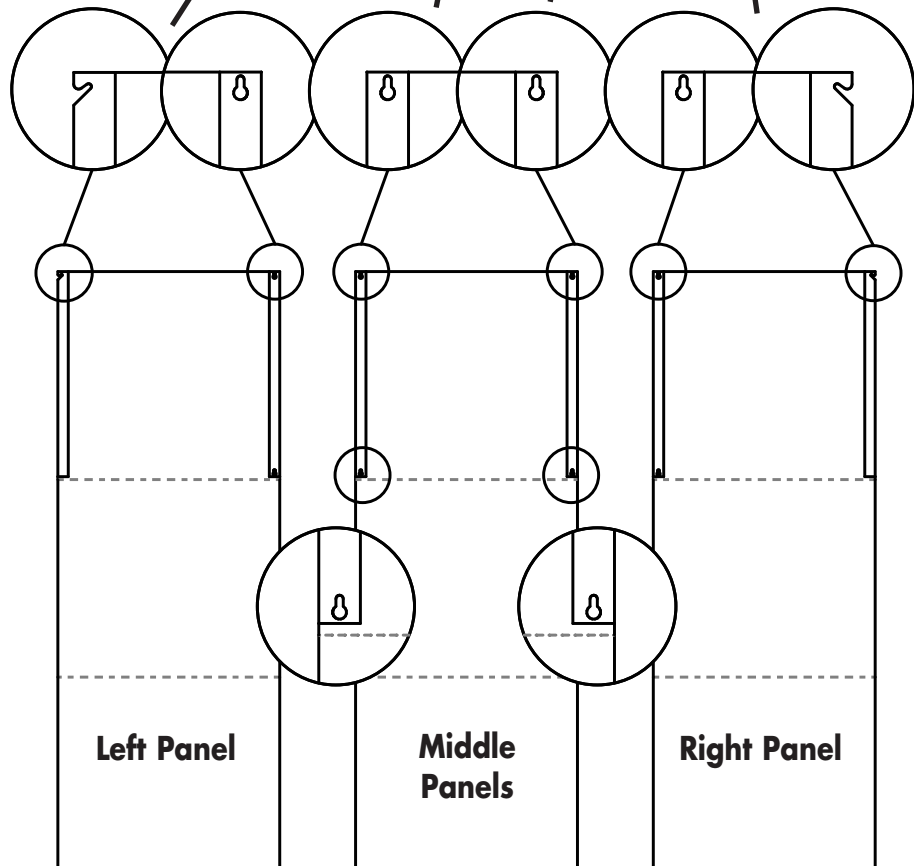
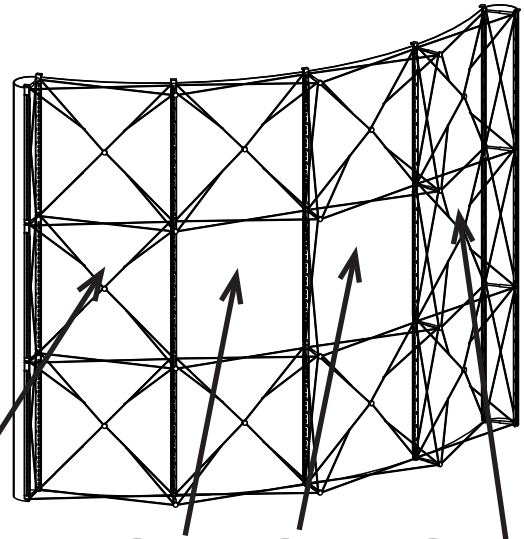
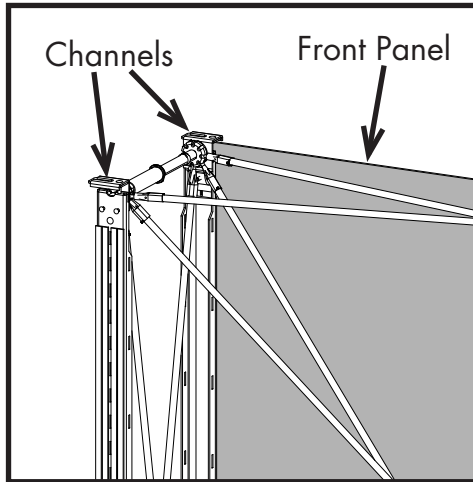


Carefully remove lighting panels from case and unfold on flat, clean surface.



Save bags and protective sheets.

Note: If mounting lighting panels on left or right sections of the frame, a channel must be added to the rear end of the frame. This is also required for end panels. Channels are not required for the middle sections.



Lighting panels will be specific for either right, left, or middle sections.

Note: Lighting panels can be applied in any order

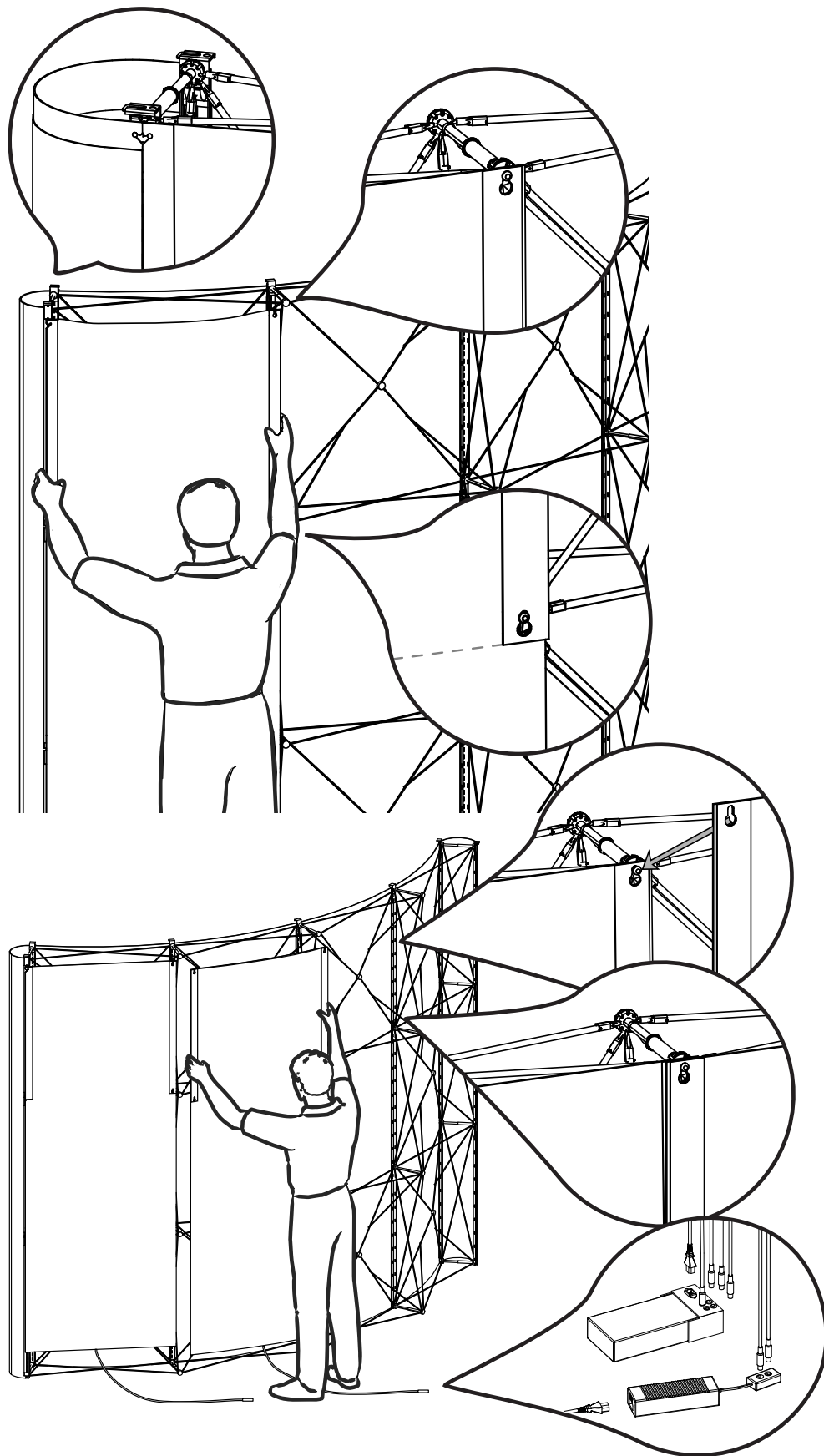
Hold lighting panel from the back side by the plastic strips.

For a left or right panel, fit the panel hook over the rivet on the channel bar and allow the magnets on the front side to attach to the magnets of the channel bar.

The keyholes on the other side of the panel will fit over the knobs of the frame hubs.

Continue adding light panels to the back of the frame as needed. The keyholes in the light panels will overlap each other so the order of installation is not important.

Pull the wires from the lights underneath the panels and plug the into the transformers. A 25 amp transformer can be used to light a center panel, a side panel and an end panel. Two 25 amp transformers can light an entire Backlit Mirage system. A 10 amp transformer can light one side or center panel and one end panel, or two end panels. Each transformer will require a separate power cord.



Graphic End Panels can also be backlit. Backlit End Panels will have Velcro® strips on the inside of the fabric wings. A light chain of 3 lights will attach to one of the strips.

The mounting position of the lights will depend on whether the panel is a right or left end panel. The light chain will always mount on the strip that will be towards the back of the unit.

Once the lights are mounted, the assembly and mounting of the end panel is the same as a non lighted one.

